

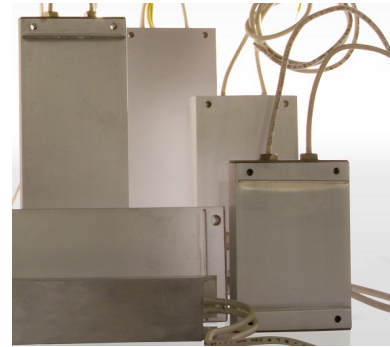
**ISOTALCO** produced ceramic component on customer design offering solutions through competence, professionalism and continuous support .

Ceramic bushing is simple and most reliable solution to insulate and support electrical components which are subjected to high temperature.

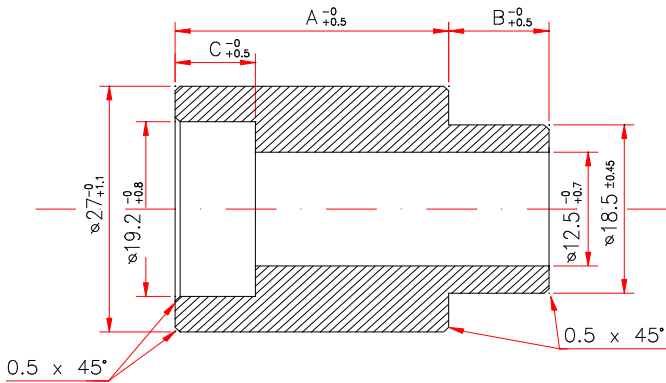
Any risk of fire is completely eliminate and there is no emission of toxic or corrosive substances.

The working temperature is guaranteed from  $-50^{\circ}\text{C}$  up to  $1000^{\circ}\text{C}$  as static condition. Thermal cycling and shocks will need to be discussed case by case to optimize design, ceramic material and final solution.

The mechanical and structural characteristic make these isolators suitable to operate on board to running equipments .



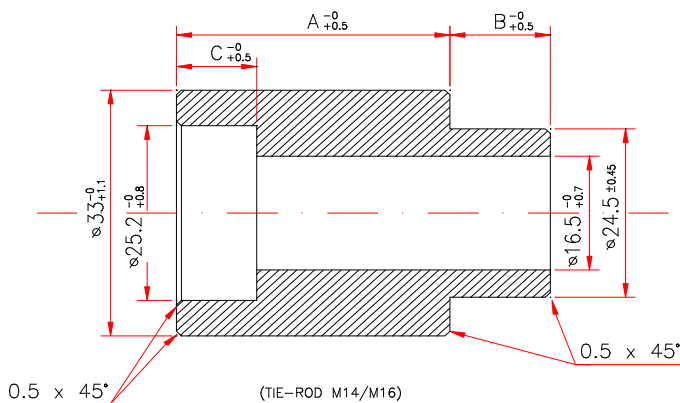
material: cordierite



CODE	DIMENSIONS		
	A	B	C
BCSTE15347	15	8	6.5
BCSTE1034-2	11.1	8	7.5
BCSTE1042-6	13.6	8	7.5
BCSTE1117-2	14.5	8	7.5
BCSTE15346	15	0	5
BCSTE1186-6	16.6	8	9
BCSTE1242-1	17.8	8	9
BCSTE1219-1	18.4	8	9
BCSTE1241-1	19	7.5	6.5
BCSTE1034-3	19.6	8	9
BCSTE1034-4	19.6	0	7.5
BCSTE1224-1	20.4	8	7.5
BCSTE1226-1	21.8	8	9
BCSTE1218-1	22.4	8	9
BCSTE1034-1	25.2	8	7.5
BCSTE1183-1	26.2	8	9
BCSTE1110-1	27.8	8	9
BCSTE1187-1	28.2	8	9
BCSTE1184-1	30.8	8	9
BCSTE1117-1	31.8	8	9
BCSTE1185-1	34.8	8	9

					TITLE: CORDIERITE BUSHINGS 27 mm FOR EN ELEMENTS	ISOTALCO www.isotalco.it	<b>ISO TALCO</b>				
0	12.12.11	emission	Bortolotti	Bortolotti	CUSTOMER IDENT.:	DWG: M1236-D27	SCALE	UNI A 4	SHEET 1	OF 1	

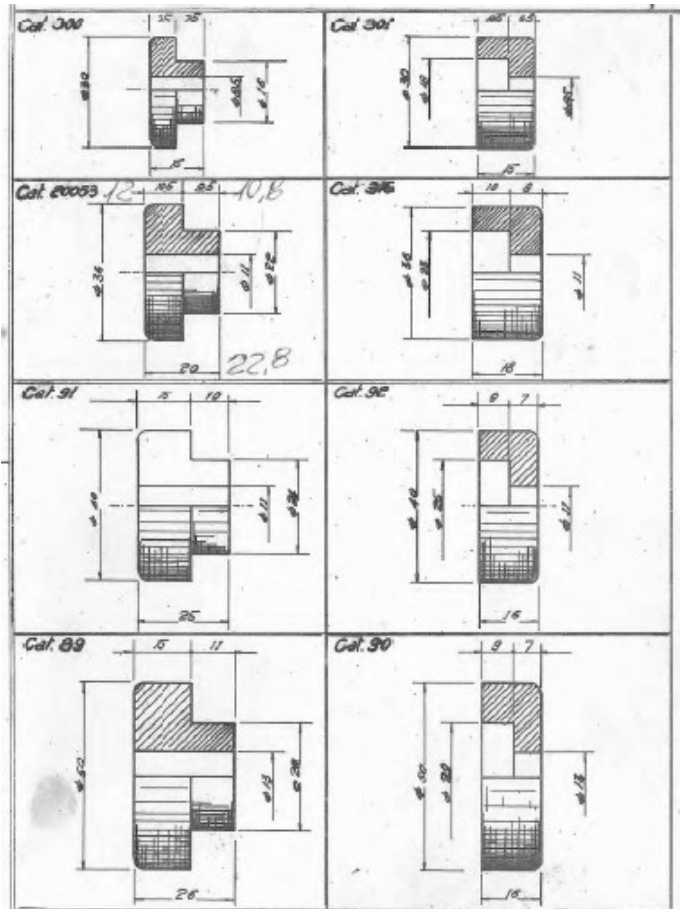
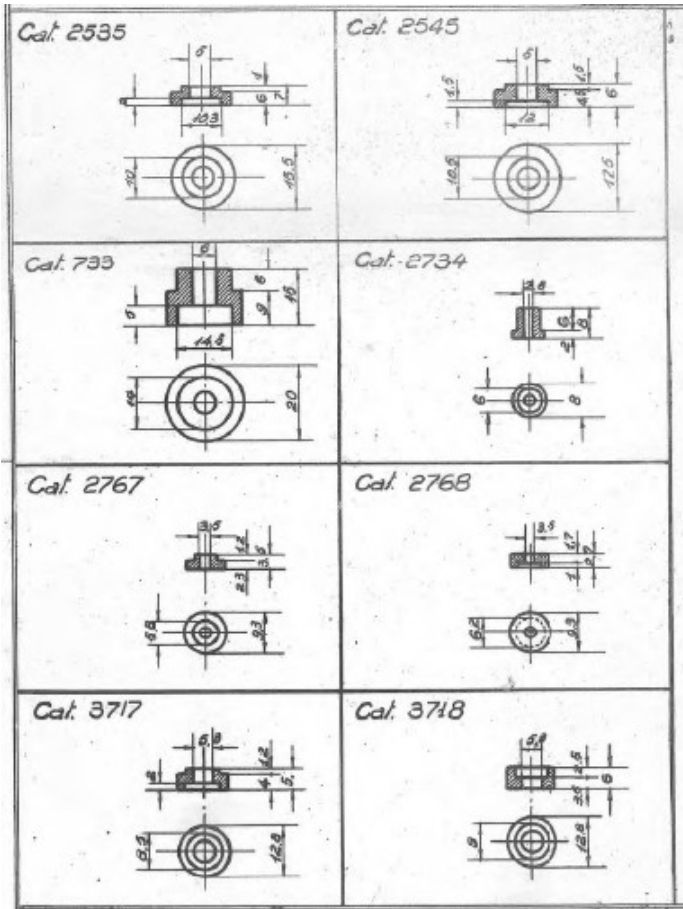
material: cordierite



TIE-ROD M14/M16

CODE	DIMENSIONS		
	A	B	C
BCSTE1206-1	11.1	8	7.5
BCSTE1206-5	12.1	8	5
BCSTE1026	15	0	5
BCSTE1027	15	8	0
BCSTE1025	15	8	6.5
BCSTE1206-6	16.6	8	9
BCSTE1206-7	19	8	7.5
BCSTE1040	19	8	6.5
BCSTE1206-3	19.3	8	0
BCSTE1206-4	19.3	0	7.2
BCSTE2021-1	26.2	8	9
BCSTE1233-1	34.8	8	9

					TITLE: CORDIERITE BUSHING 33 mm FOR EN ELEMENTS	ISOTALCO www.isotalco.it	<b>ISO TALCO</b>				
0	12.12.11	emission	Bortolotti	Bortolotti	CUSTOMER IDENT.:	DWG: M1236-D33	SCALE	UNI A 4	SHEET 1	OF 1	



N° Catalogo	φ A	φ B	H
2703	74	3,9	3+10
2738	75	4,5	3+10
2696	8	3,9	3+10
2674	8,5	3,6	3+10
2645	8,7	5,1	3+10
2644	9,8	6,2	3+10
2677	10,4	7,7	3+10
2728	12,4	8,7	3+10
2565	12,5	7,5	3+13
2688	15,5	7,7	3+13
2591	15,8	5,2	3+13
2737	17,3	6,2	3+13
2732	17,7	9,5	3+13

N° cat	A	B	C	D	E	F
3728	8,5	4,5	3	1,5	3,2	4,5
2996	8,5	4,5	3	1,5	2,5	4,5
2997	10	5	3	1,5	3,2	4,5
10422	11	6	3	2	3,2	5
2959	12	7	4	2	0,2	6
10424	13	8	4	2	4,2	6
3001	15	10	4	2	5,2	6
3002	17	12	5	2,5	6,2	7,5
3003	19	14	5	2,5	6,2	7,5